

RUSSIA 1941

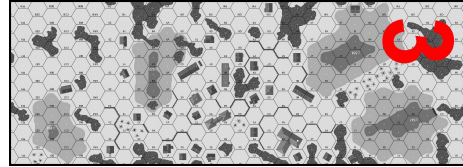
Scenario OAF 35.1

070713



Russia, November 1941: As the German onslaught swept into Russia, numerous small pockets of resistance were bypassed, later to be reduced by rear echelon forces.

BOARD CONFIGURATION:




VICTORY CONDITIONS: The German player must gain uncontested control of three of the five stone buildings on board 3 to win.

TURN RECORD CHART:


★ Russian Sets up First	1	2	3	4	5	6	7	END
✚ German Moves First								

★ **Set up south of the road Y I-Y10:**



2	16			4

✚ **Set up north of the road Y I-Y10:**



2		18		4		3	

SPECIAL SCENARIO RULES:

SSR OAF 35.1.1: TERRAIN: Wheatfields are not in effect.

SSR OAF 35.1.2: The Russian player has control of all of the stone buildings at the start of the scenario.

SSR OAF 35.1.3: SIDE SELECTION PROCEDURE: Each player takes one marker of each nationality and simultaneously reveals their choice of side. If opposing sides are selected, those sides are assigned. If the same side is chosen, the players bid for side with the lower rated (seed) player bidding first. Bids may start at '0' and progress in whole numbers only. The bid is the numbers of dominate squads to be added to the opposing side. The bid continues until one player accepts the opposing side whose force is augmented with that bid.

Bill Thomson 512-799-6705



Squad Leader Academy
SQL, COI, COD, GIA Player Development

Email: Bill@WargameAcademy.org
Website: www.WargameAcademy.org
7940 Luling Lane Austin, TX 78729 USA

©2007 A Squad Leader Academy Scenario Card

Squad Leader™ and its counter images are Trademarks of MMP and Hasbro, Inc.
CREDITS: This scenario originally was published in ON ALL FRONTS, Issue 35. Modifications and/or clarifications were made from its published form. Updated 051127; rev 0
The scenario author not cited. This scenario was used in round two of the ORIGINS 1984 Squad Leader Tournament conducted by Tom Greer. No rights are assumed by Wargame Academy.
Graphic Layout by Bill Sosnicki